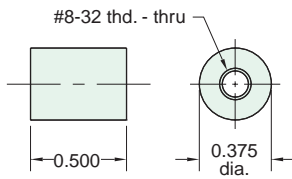




# 3/8" BORE MOUNTING BRACKETS

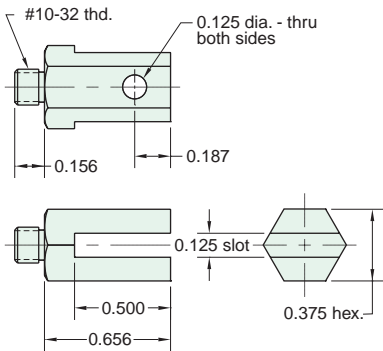
## 11767

**Ceramic Insulator**  
Use with cylinder having #8-32 threaded shaft to insulate cylinder from heat or electricity



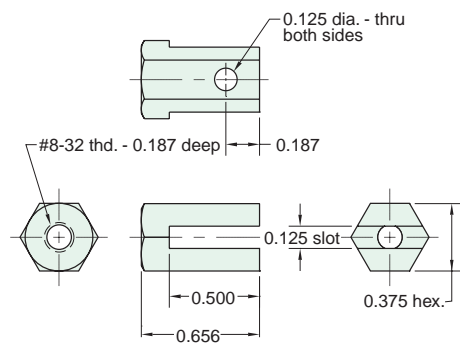
## 11996

**Male Clevis**  
Mounts in rear of cylinder tapped #10-32



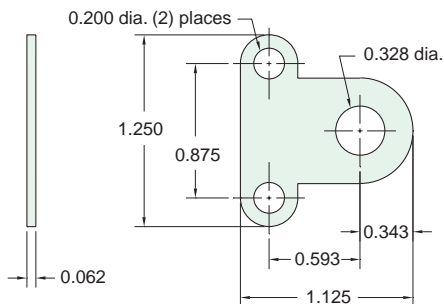
## 11997

**Female Clevis**  
Use with cylinder having #8-32 threaded shaft



## 11917-2

**Mounting Bracket (flat)**



## 11918-2

**Mounting Bracket (angled)**

